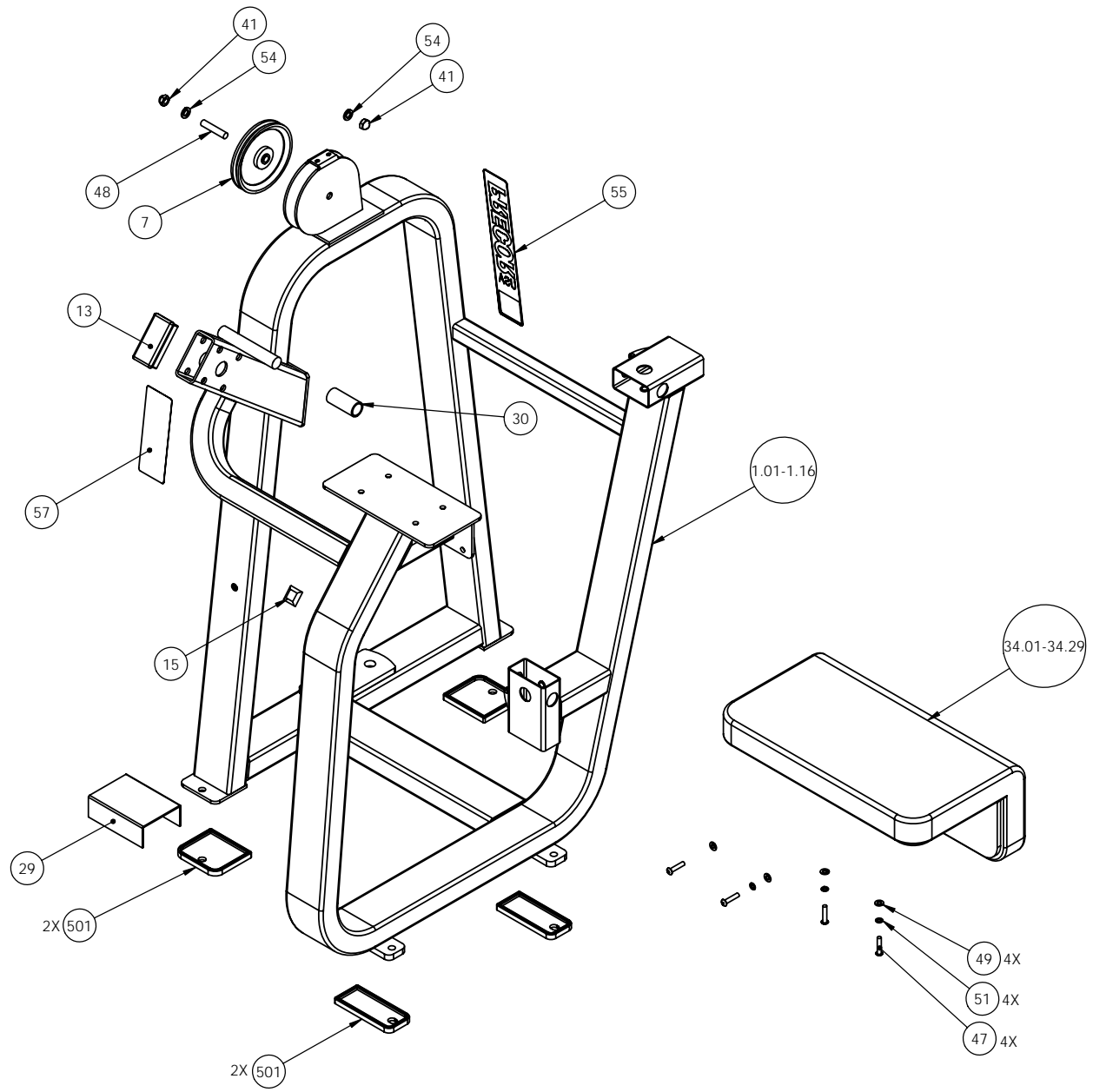
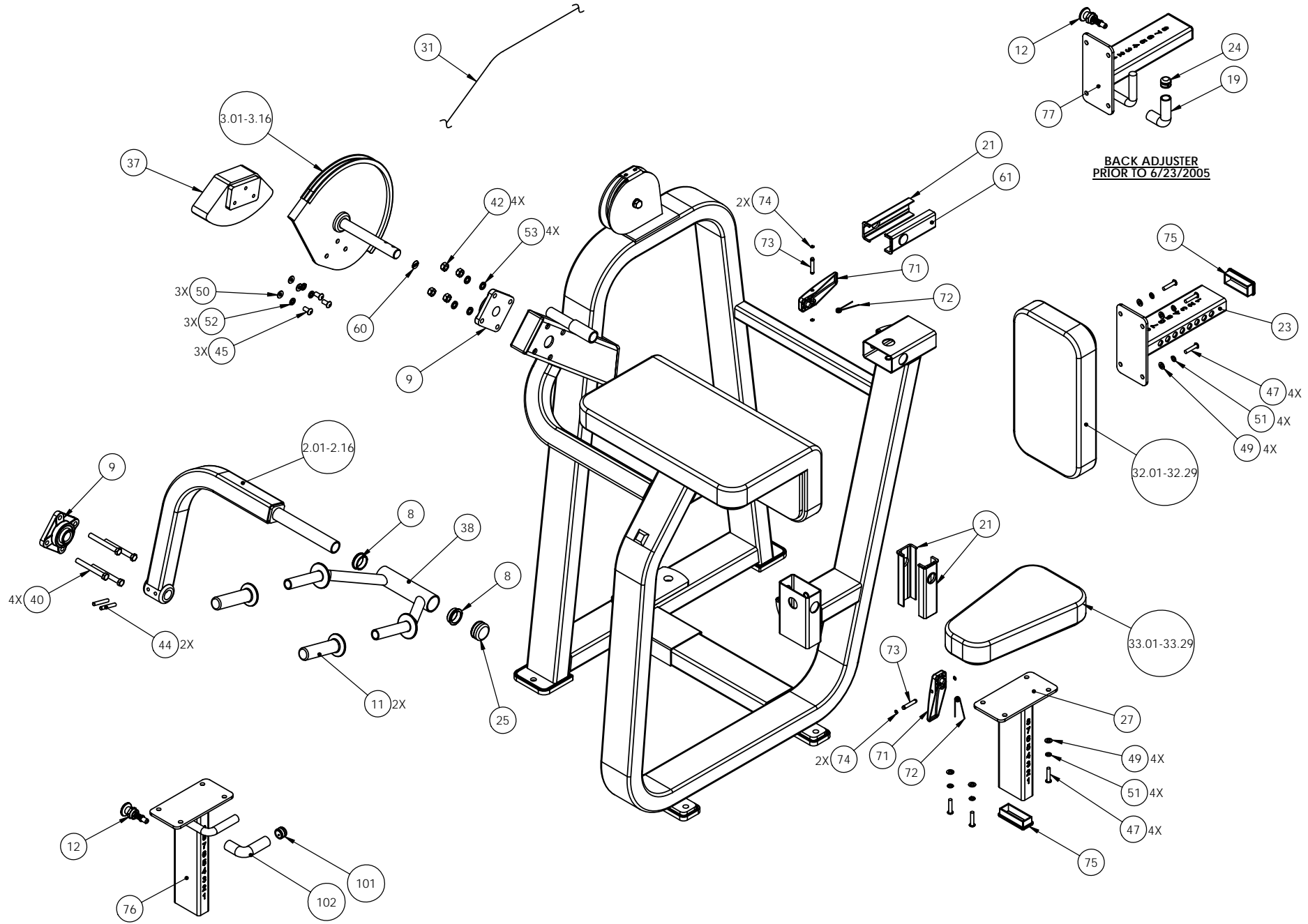


210	P/N : CW30930-102	SUBREV : C
DRAWN BY : CT	DATE : 03.10.06	SHEET 1 OF 4



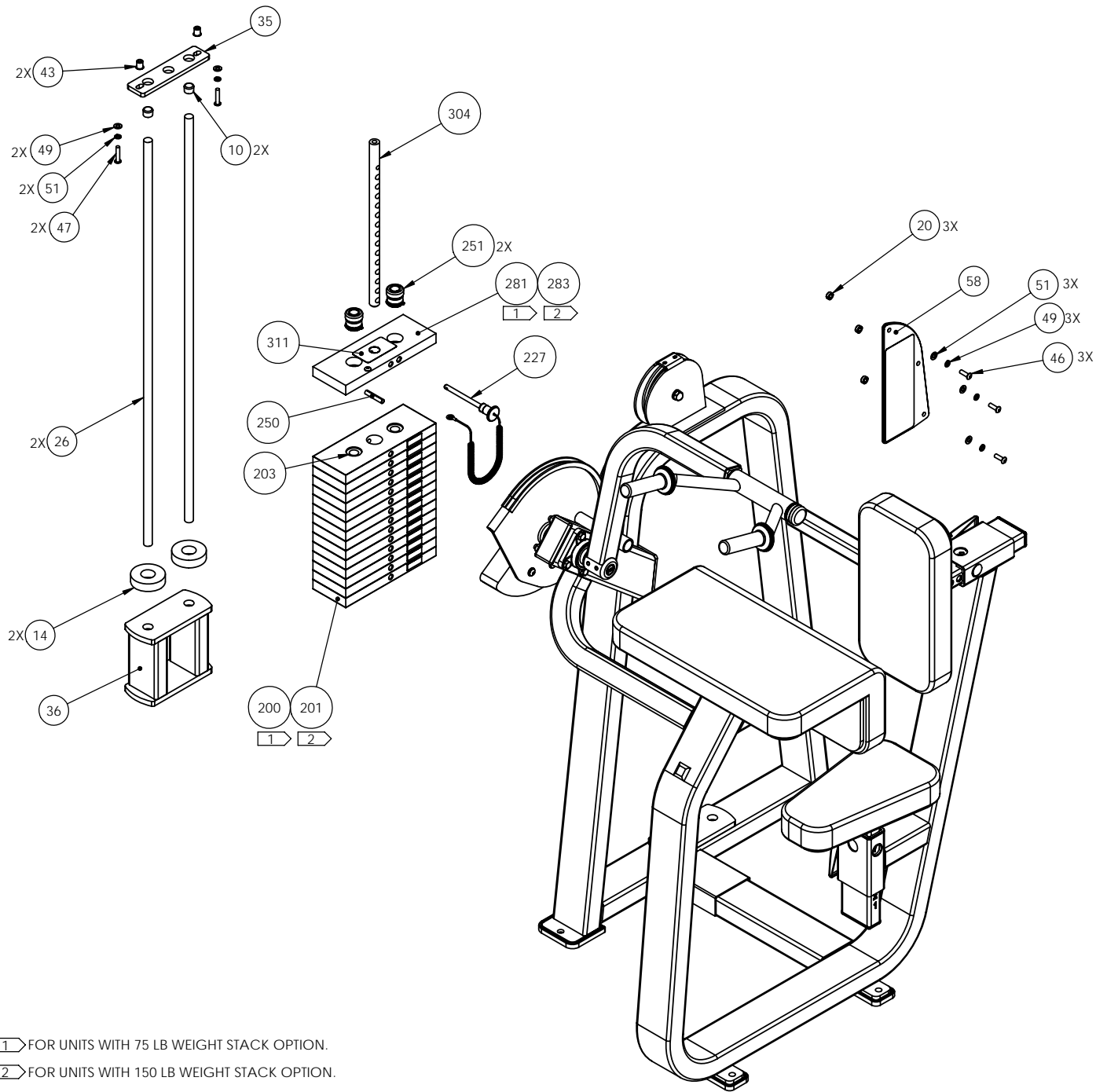
210	P/N : CW30930-102	SUBREV : C
DRAWN BY : CT	DATE : 03.10.06	SHEET 2 OF 4



**BACK ADJUSTER
PRIOR TO 6/23/2005**

**SEAT SUPPORT
PRIOR TO 6/23/2005**

210	P/N : CW30930-102	SUBREV : C
DRAWN BY : CT	DATE : 03.10.06	SHEET 3 OF 4



1 FOR UNITS WITH 75 LB WEIGHT STACK OPTION.
 2 FOR UNITS WITH 150 LB WEIGHT STACK OPTION.

210	P/N : CW30930-102	SUBREV : C
DRAWN BY : CT	DATE : 03.10.06	SHEET 4 OF 4

210 Tricep Extension Flat

Part Number	Description	Bubble Number
CW210SA1-212	ASSY,FRAME,MAIN,210,SKY WHITE	1.01
CW210SA1-322	ASSY,FRAME,MAIN,210,TITANIUM HG	1.12
CW210SA3-211	ASSY, ARM, 210,SKY WHITE	2.01
CW210SA3-321	ASSY, ARM, 210,TITANIUM HG	2.12
CW210SA4-211	ASSY,CAM,210,SKY WHITE	3.01
CW210SA4-321	ASSY,CAM,210,TITANIUM HG	3.12
CW30027-101	LABEL,INSTRUCTION,210	4
CW11311-102	ENDCAP, REC TUBE, 2X4, BLK PLASTIC	13
CW12575-101	MOULDED BUMPON, BLACK, 31.75MM SQ (15
CW34822-101	LABEL, "ASSEMBLED IN THE USA"	16
CWAC1183-101	LABEL, WARNING, SERIOUS INJURY	18
CWGR4805-000	GRIP, RUBBER, .75" OD HANDLE, 5.00"	19
CWAC220-901	HANDLE END CAP W/SET SCREWS, DIA 3/	24
CWCP8106-000	CP, ABS CHANNEL, 1/8 X 2 X 4 X 6 1/	29
CWGR2602-750	GRIP,RUBBER, 1" DIA, 2-3/4"	30
CWCLGH051-875	ASSY, CABLE, 210	31
CWPD1210J-101	PAD,ANGL,2PC(7.5X22)(9.69X22),BLK,	34.01
CW12537-109	NUT,INSERT,THIN-NUT,LARGE FLANGE	43
CW31756-101	LABEL, PRECOR USA ICARIAN LINE	55
CW30138-101	ASSY, LABEL,INSTRUCTION,210	58
CWAC1232-101	LABEL, ROUND, "PIVOT"	60
CW30181-711	ASSY,SEAT SUPPORT,9 HOLE,CHM	76
CW30529-711	ASSY,BACK/CHEST ADJ. 10", 8 POS.	77
CWAC220-901	HANDLE END CAP W/SET SCREWS, DIA 3/	101
CWGR4805-000	GRIP, RUBBER, .75" OD HANDLE, 5.00"	102
CWAC1133-101	BUSHING, WEIGHT PLATE, LDPE PLASTIC	203
CW33870-102	ASSEMBLY, 5" WEIGHT STACK PIN & LEA	227
CW30184-901	ASSY,BARREL, TOP PLATE,ALUMINUM	251
CW10535-722	PLATE, WEIGHT, SMALLTOP (STP-S), 0	281
CW32552-101	ASSY, PLATE, WEIGHT, SMALLTOP (STP-	299
CW12537-109	NUT,INSERT,THIN-NUT,LARGE FLANGE	400
CWPF3143-211	SHROUD,SHEET,STEEL,4 BENDS, SKY WHI	402.01
CWPF3143-221	SHROUD,SHEET,STEEL,3/32 THICK,4 BEN	402.02
CWPF3143-311	SHROUD,SHEET,STEEL,3/32 THICK,4 BEN	402.11
CWPF3143-321	SHROUD,SHEET,STEEL,4 BENDS, TITANIU	402.12
CWPF3143-351	SHROUD,SHEET,STEEL,3/32 THICK,4 BEN	402.15
CWPF3143-361	SHROUD,SHEET,STEEL,3/32 THICK,4 BEN	402.16
CWPF3143-711	SHROUD,SHEET,STEEL,3/32 THICK,4 BEN	402.17
CWPF3144-721	SHROUD BRKT,PLATE,STEEL,1/8 THICK,1	403
CWPF3145-721	SHROUD BRKT,PLATE,STEEL,1/8 THICK,2	404
CWTAYN031-100	SCREW, BUTTON HEAD, BLK XYLAN, 5/16	405
CWWALYN031-008	WASHER, SPLIT, 5/16 ID, BL	406
CWWBKN031-007	WASHER, FLAT, TYPE A, SAE, 5/16 ID	407
CWAC1177-101	FLOOR PROTECTOR, RUBBER, 4.563 X 4.	501
CWAC1178-101	FLOOR PROTECTOR, RUBBER, 2.563 X 6.	502